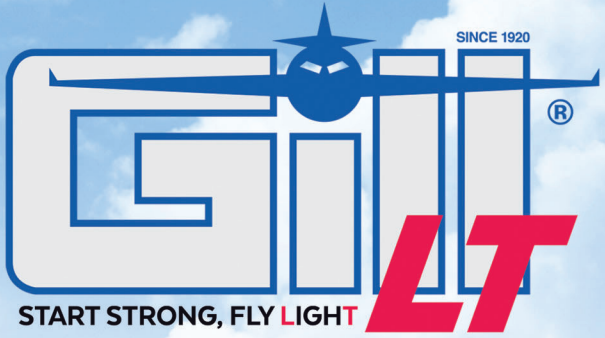


HELICOPTER

7641-20

Sealed Aircraft Battery, VRLA, LT Technology, 24V, 20Ah



| SPECIFICATIONS | | | |
|----------------------------------|-------------|-------------|---------------|
| Model | 7641-20 | | |
| Nominal Voltage, V | 24 | | |
| One Hour Capacity, C1, Ah | 20 | | |
| 30 Minute Emergency Rate, C/2, A | 35 | | |
| Weight, Lb. Maximum | 44.30 | | |
| Power Performance | 23°C (75°F) | -18°C (0°F) | -30°C (-22°F) |
| I _{pp} , A | 1430 | 850 | 630 |
| I _{pr} , A | 920 | 560 | 410 |



7641-20
AVAILABLE NOW,
AT DISTRIBUTORS

Upgrade to the Next Generation of Lead-Acid Technology!

- ✓ TSO Authorized
- ✓ DO-160E Tested
- ✓ Sealed, VRLA, Non-Spillable
- ✓ 18 Month/1800 Hour Capacity Check Inspection
- ✓ 2 Year Warranty
- ✓ FAA-PMA
- ✓ EASA



TELEDYNE BATTERY PRODUCTS
Everywhere you look™

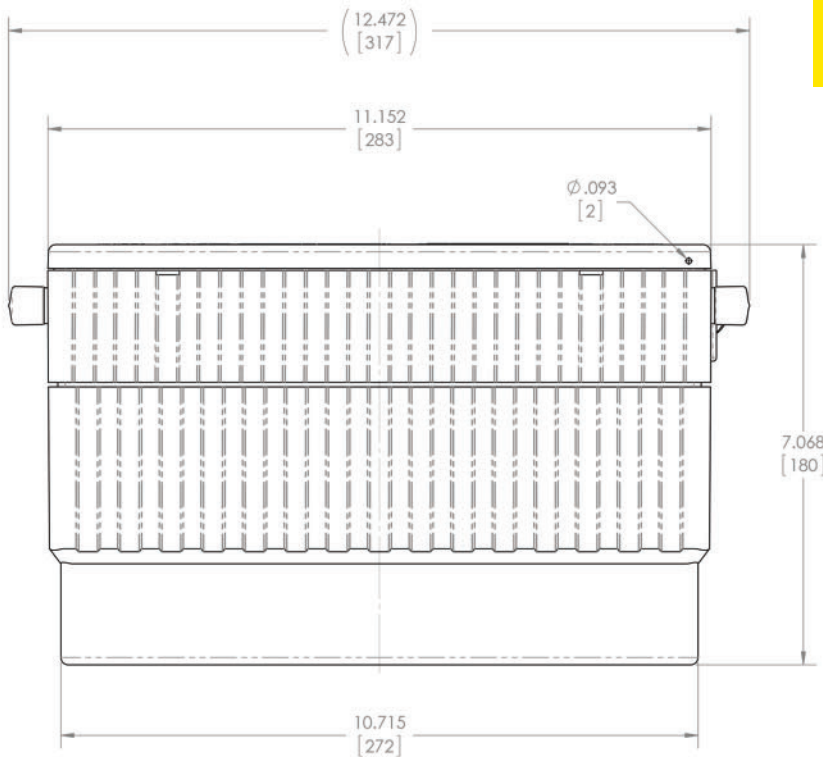
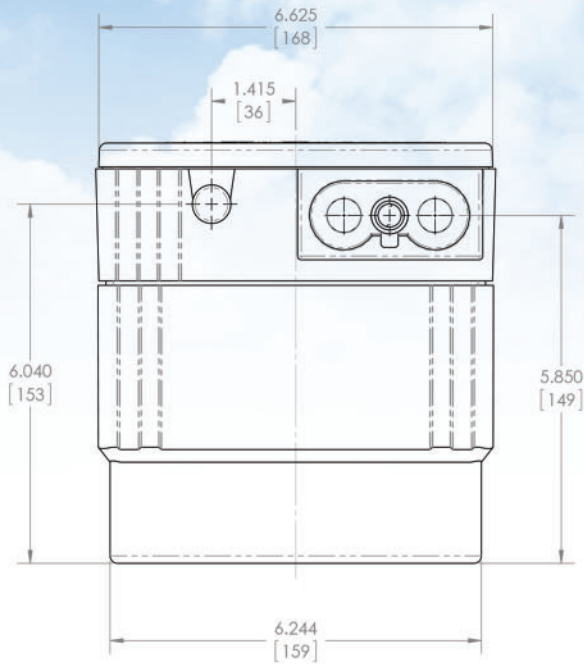
909.793.3131

GILLBATTERIES.COM

Rev 2018/11/28

7641-20

AVAILABLE NOW AT DISTRIBUTORS



FAA-PMA APPROVED

| MAKE | MODEL | STC KIT |
|---------------------------|--|------------|
| Airbus | AS350B, AS350B1, AS350B2, AS350B3, AS350BA, AS350C, AS350D, AS350D1 | SR02493LA |
| ATR-GIE | ATR42-200, ATR42-300, ATR42-320, ATR42-500, ATR72-101, ATR72-102, ATR72-201, ATR72-202, ATR72-211, ATR72-212, ATR72-212A | ST02886NY* |
| Bell | 206A, 206B, 206L, 206L-1, 206L-3, 206L-4 | SR01406LA* |
| Enstrom | TH-28, 480, 480B | NR |
| MD Helicopter Inc. | 369, 369A, 369D, 369E, 369F, 369FF, 369H, 369HE, 369HM, 369HS, 500N 600N | SR01427LA* |
| Schweizer | 269D | NR |

NR: Not Required *EASA Validated

